

RAUCHA SMOKER MS-200 PRO



Art. Nr.: 30100004


























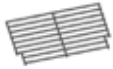















RAUCHA
BBQ SMOKER

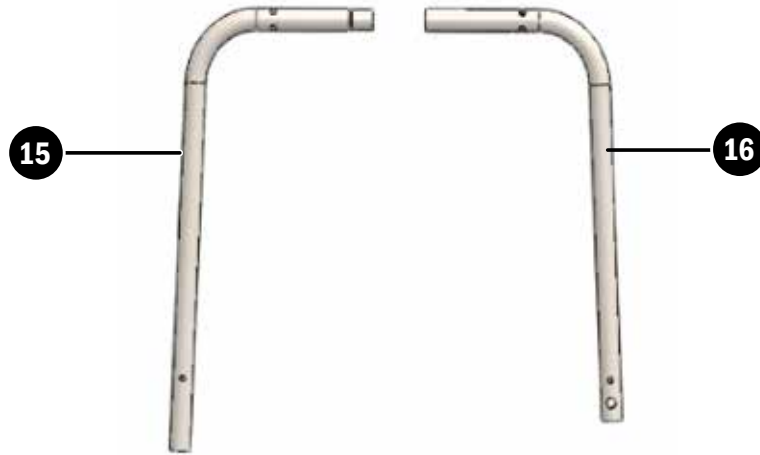
- DE** BARBECUE SMOKER Montageanleitung
- EN** BARBECUE SMOKER Assembly Instructions
- FR** BARBECUE FUMOIR Guide de montage
- ESP** BARBECUE AHUMADOR Instrucciones de Montaje



BARBECUE SMOKER • BARBECUE FUMOIR
BARBECUE AHUMADOR

GELIEFERTE EINZELTEILE • DELIVERED ITEMS • ARTICLES LIVRÉS ARTÍCULOS SUMINISTRADOS

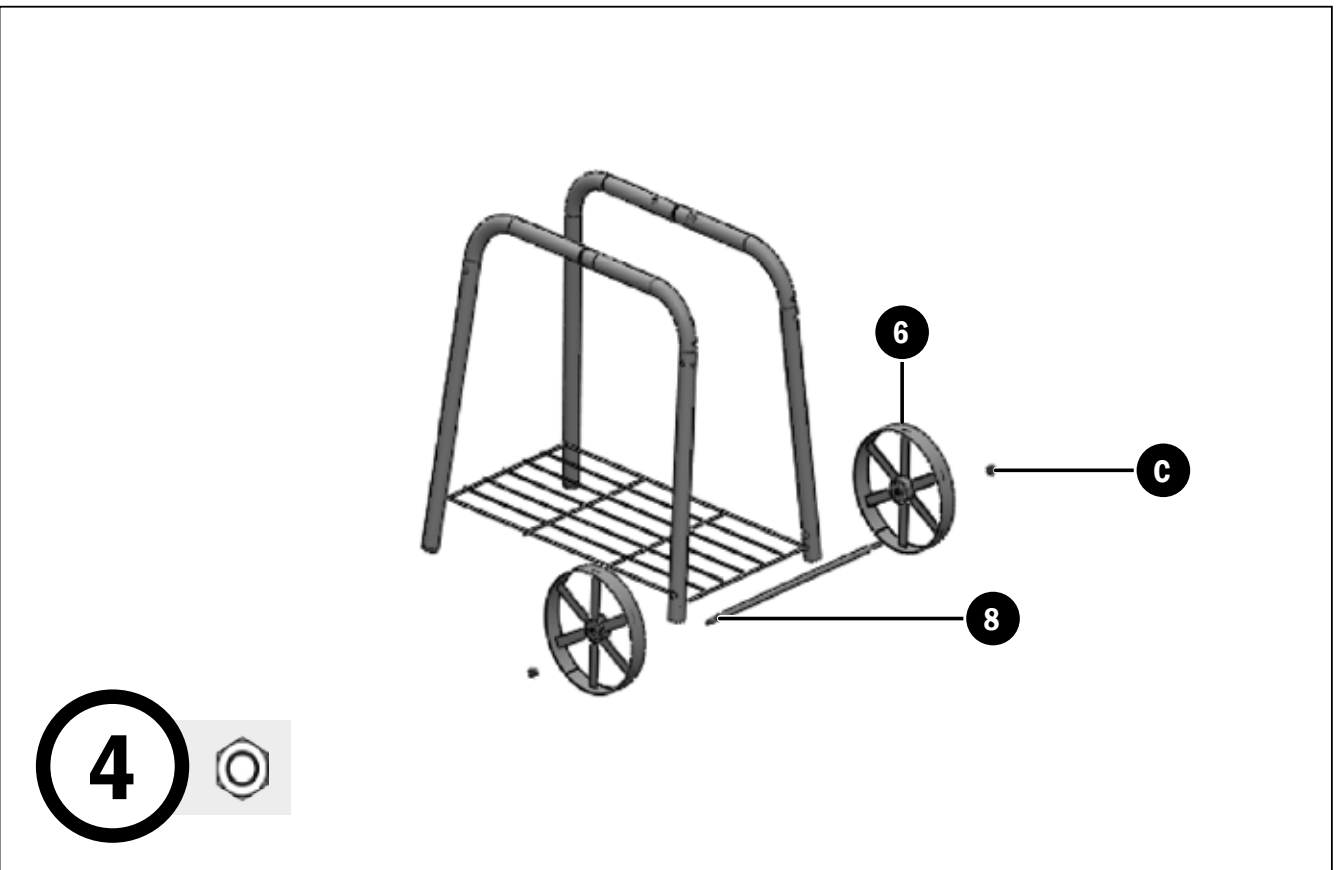
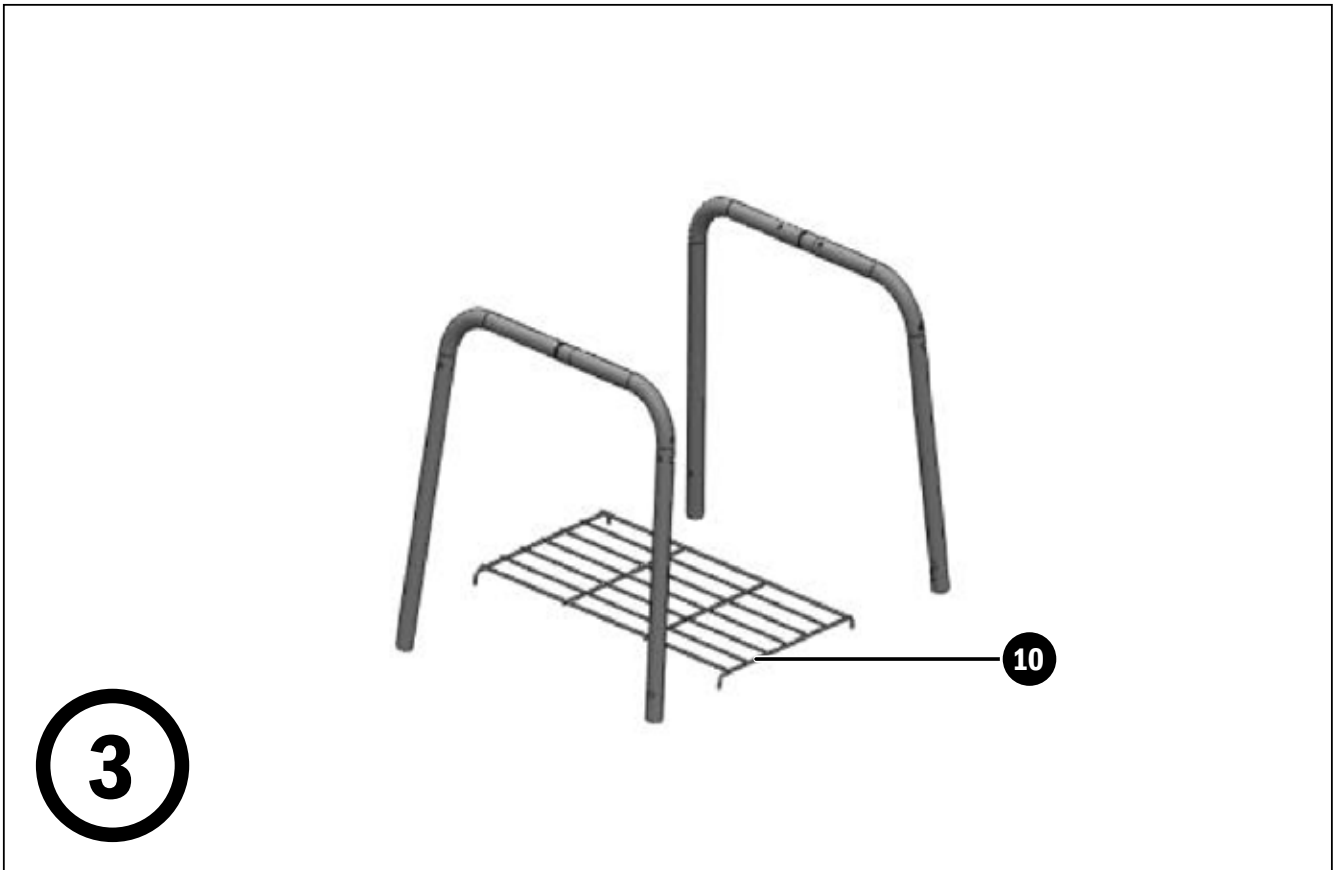
 1 1 pcs	 2 2 pcs	 3 1 pcs	 4 1 pcs
 5 1 pcs	 6 2 pcs	 7 2 pcs	 8 1 pcs
 9 3 pcs	 10 1 pcs	 11 1 pcs	 12 2 pcs
 13 2 pcs	 14 1 pcs	 15 1 pcs	 16 1 pcs
 17 1 pcs	 18 1 pcs	 19 1 pcs	 20 1 pcs
 21 1 pcs	 22 1 pcs	 23 1 pcs	 24 2 pcs
 25 1 pcs	 26 1 pcs	 27 1 pcs	 28 1 pcs
 29 2 pcs	 30 1 pcs	 31 1 pcs	 A M6-12 50 pcs
 B M6-15 3 pcs	 C M8 2 pcs	 D M6-20 2 pcs	 E M5 2 pcs
 F M5-12 1 pcs	 G M5-10 1 pcs	 H M6 20 pcs	

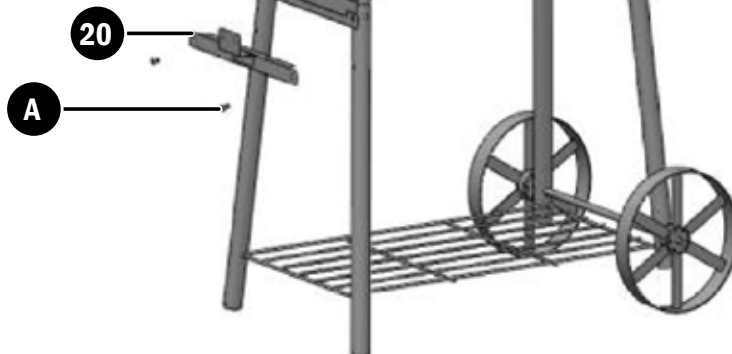
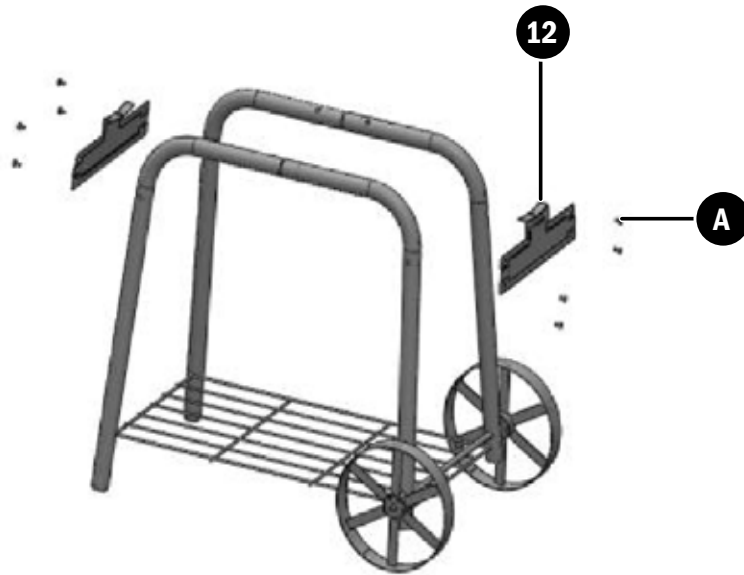


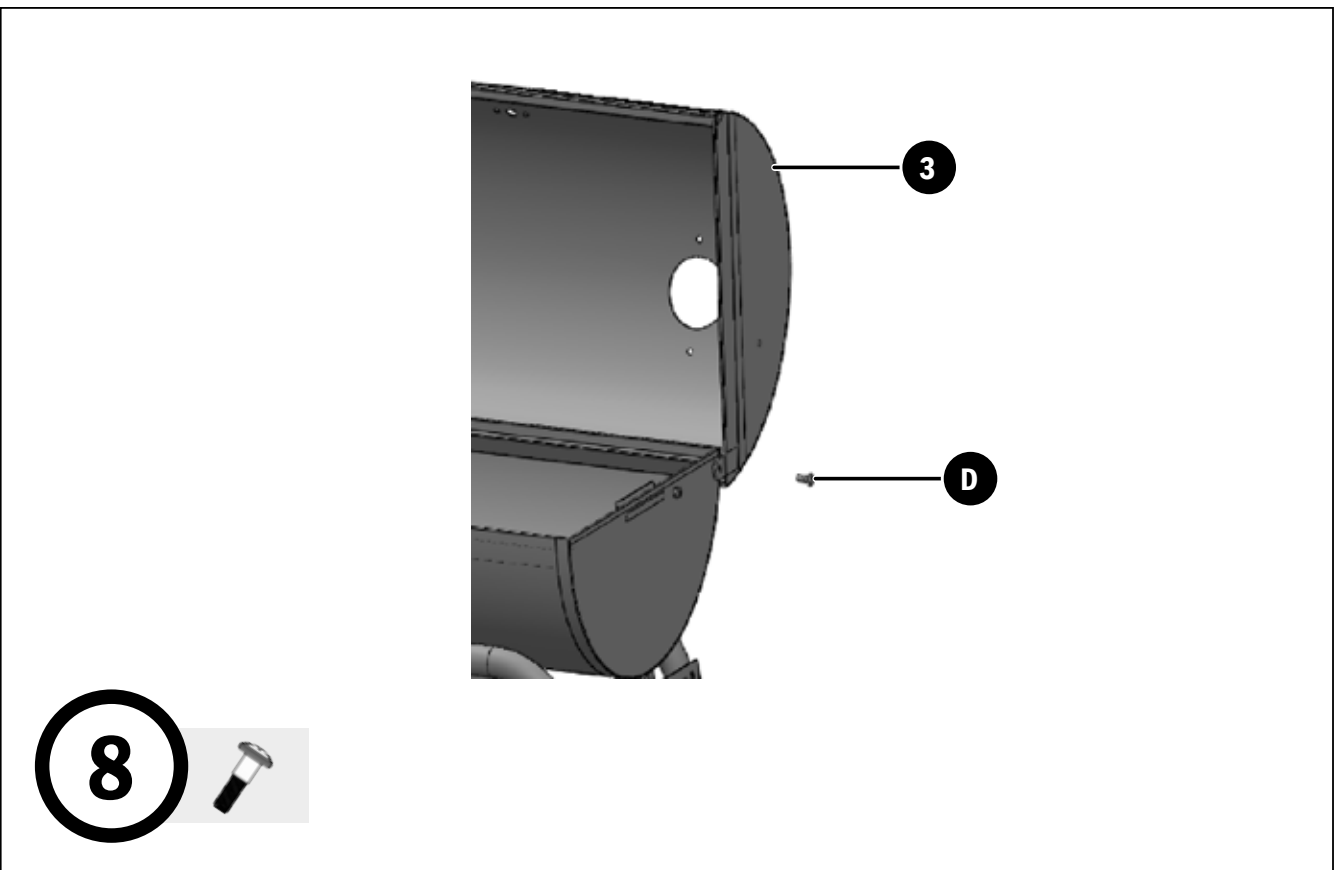
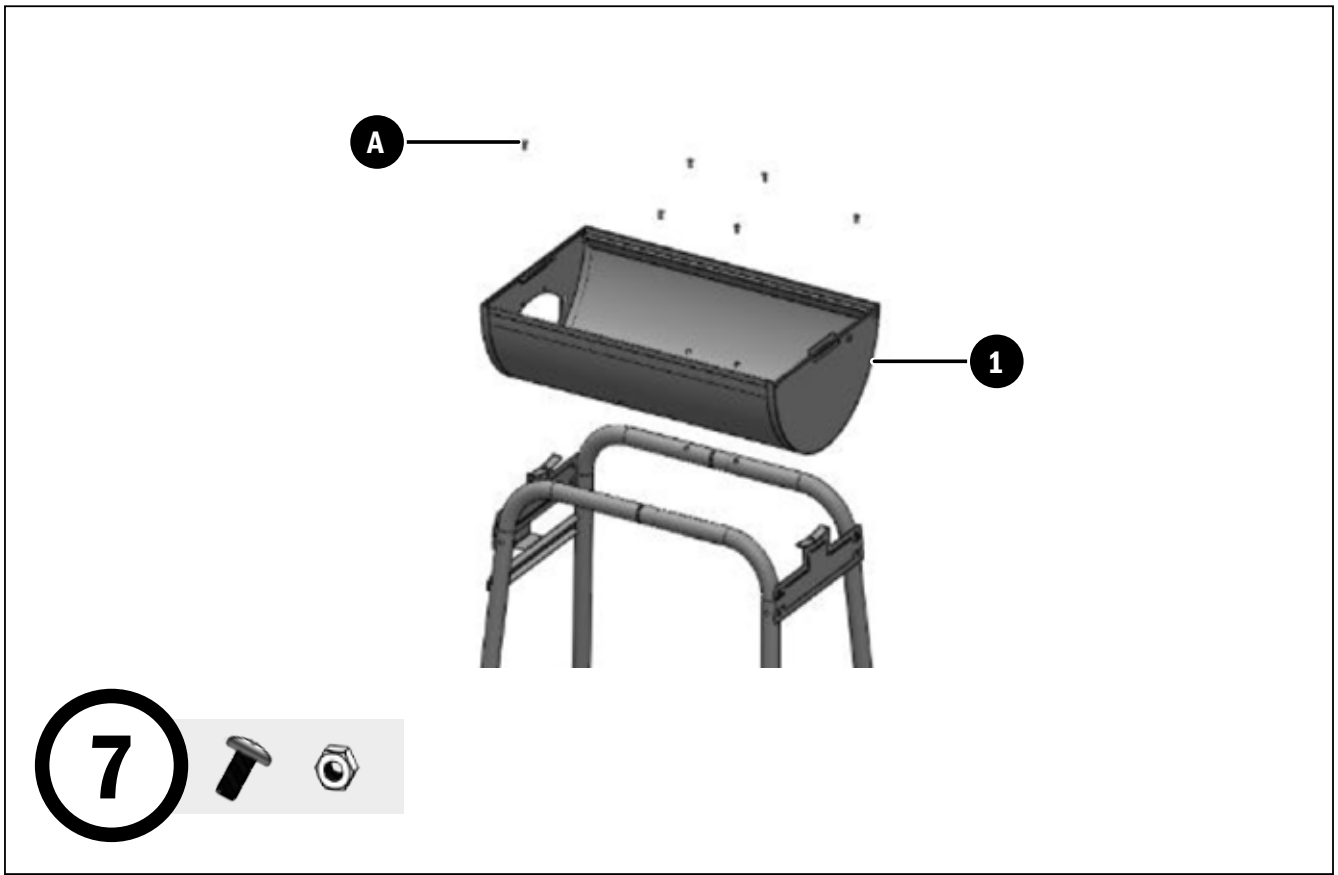
1

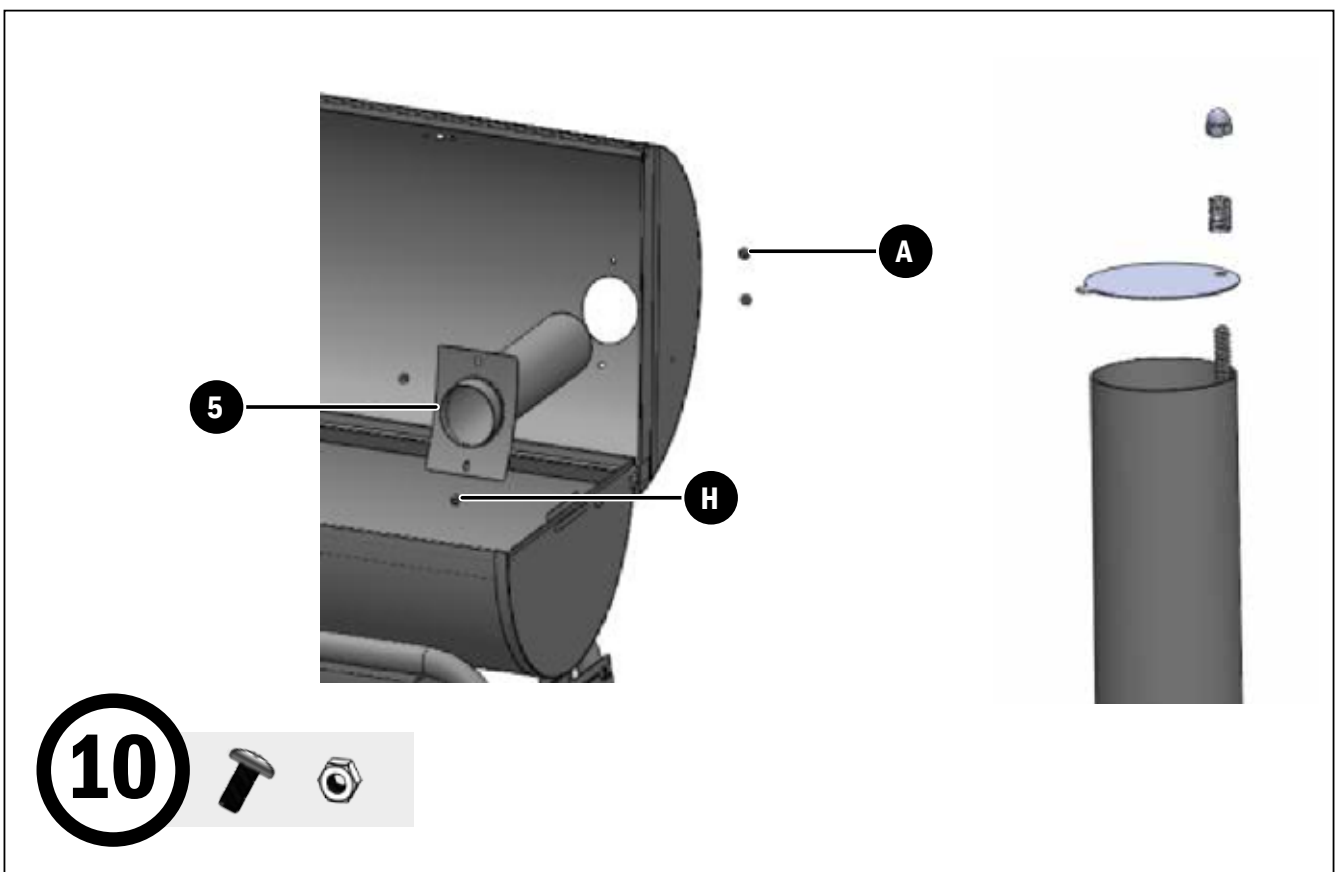
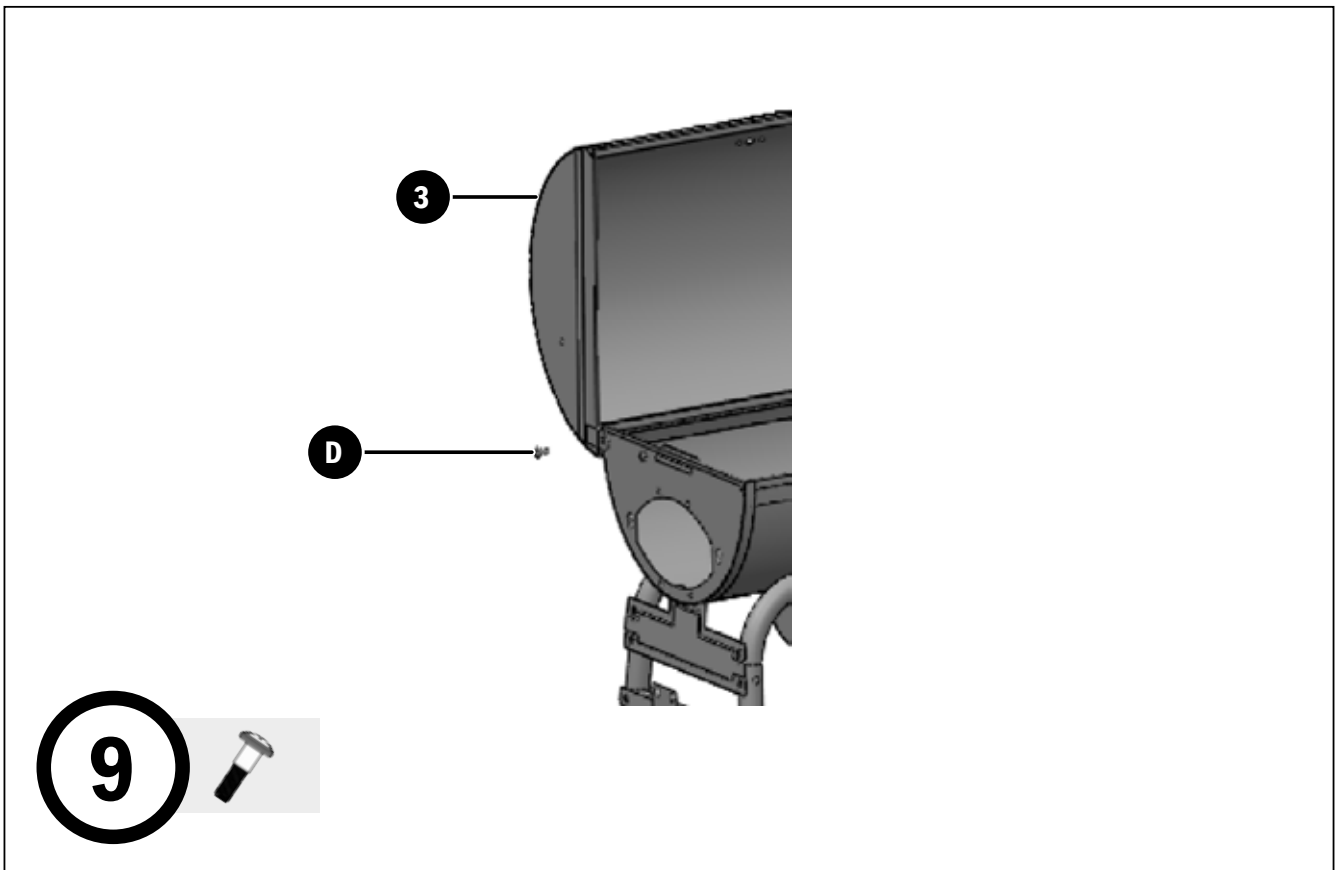


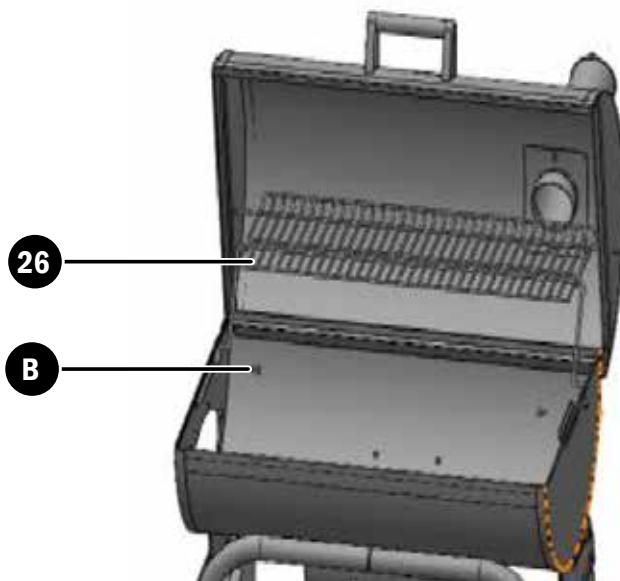
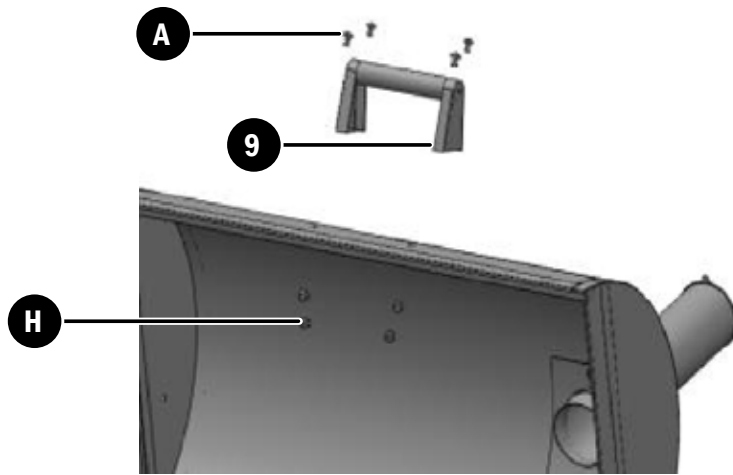
2

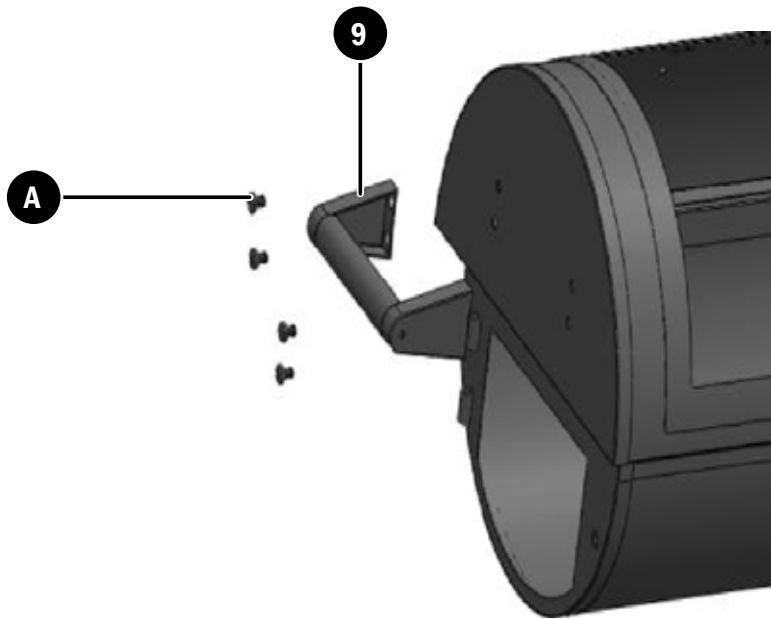
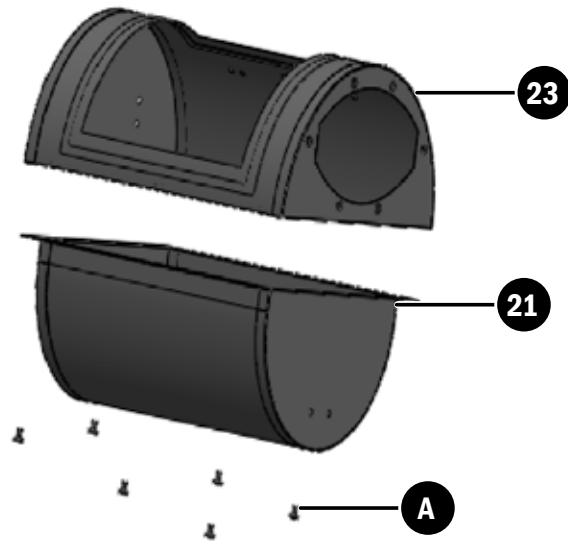


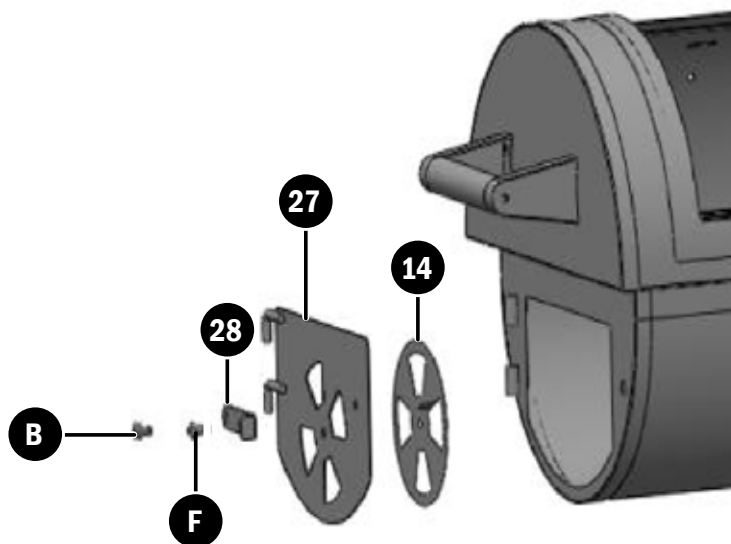
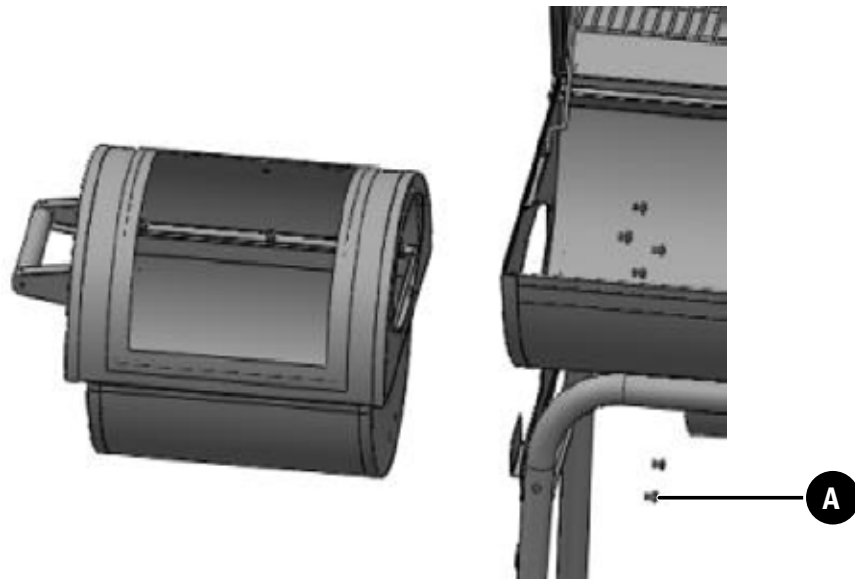


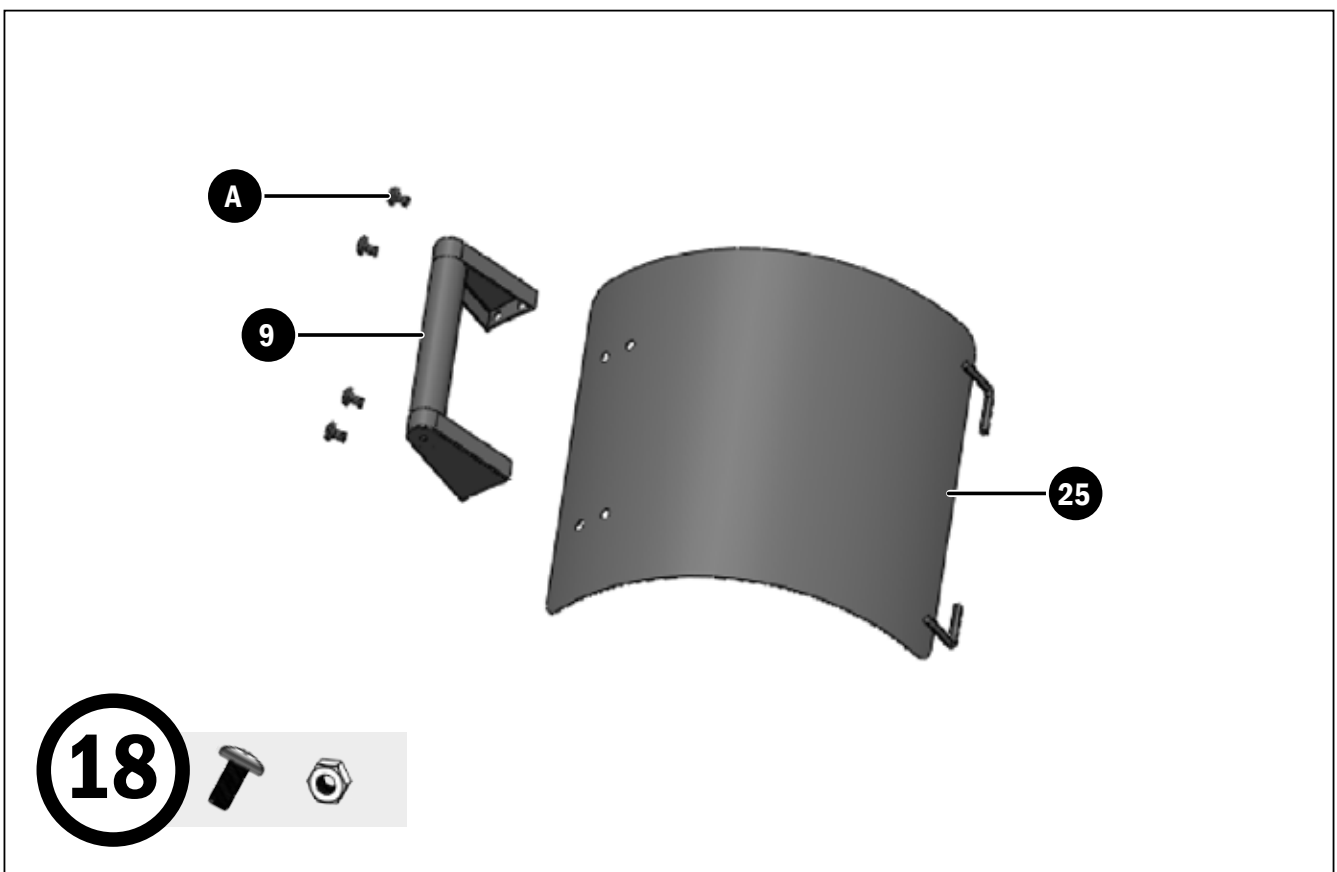
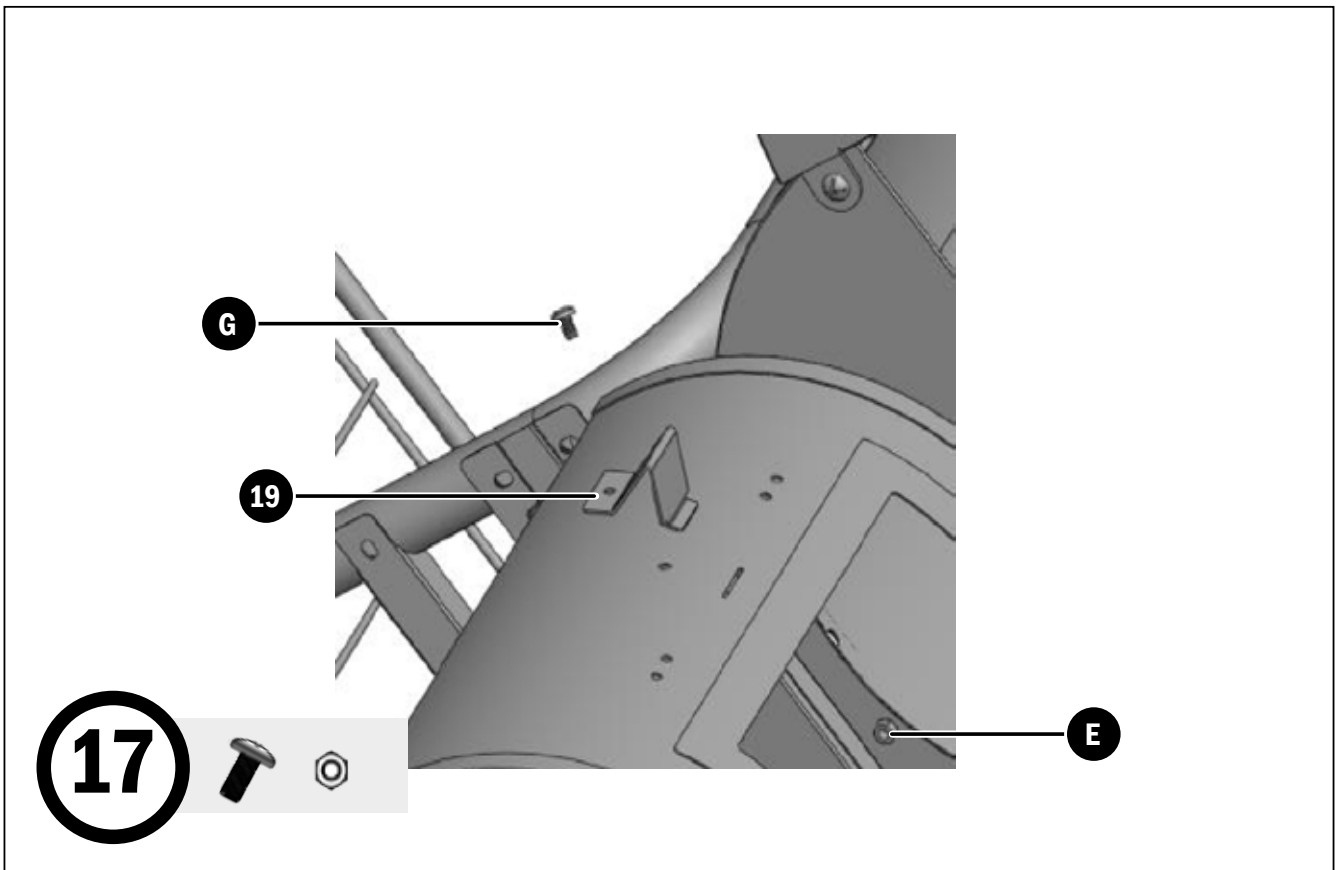


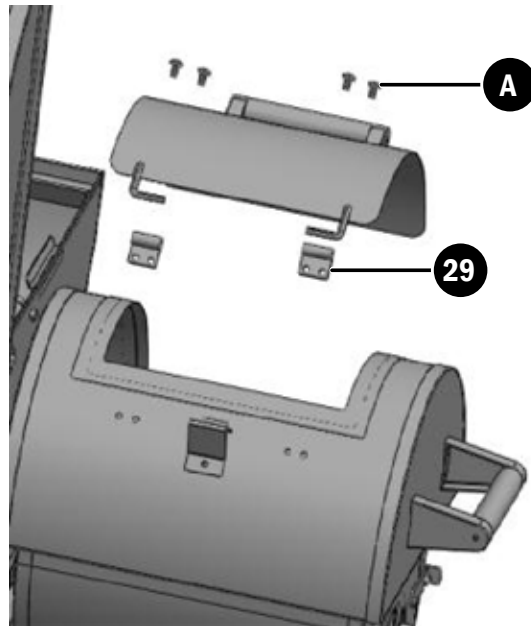


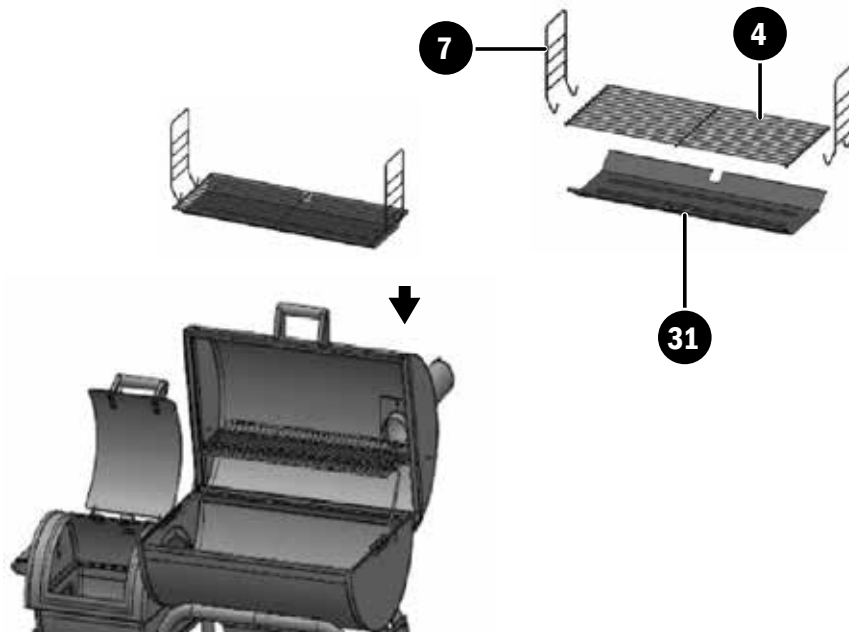




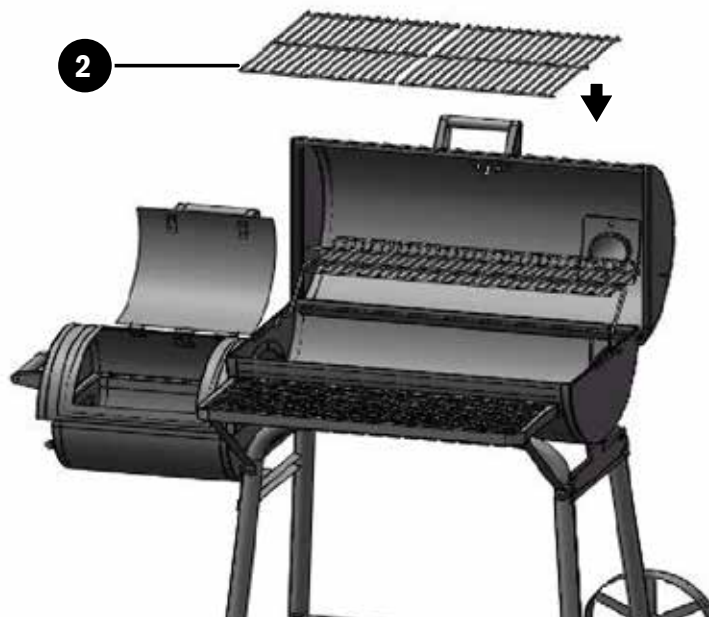








21



22



23



24





www.mayergrill.com

Mayer Barbecue®

© 2016 Designed and engineered by Mayer Barbecue

Mayer Barbecue ist eine eingetragene Marke der Schoenberger Germany Enterprises GmbH & Co. KG Zechstr. 1-7, 82069 Hohenschäftlarn